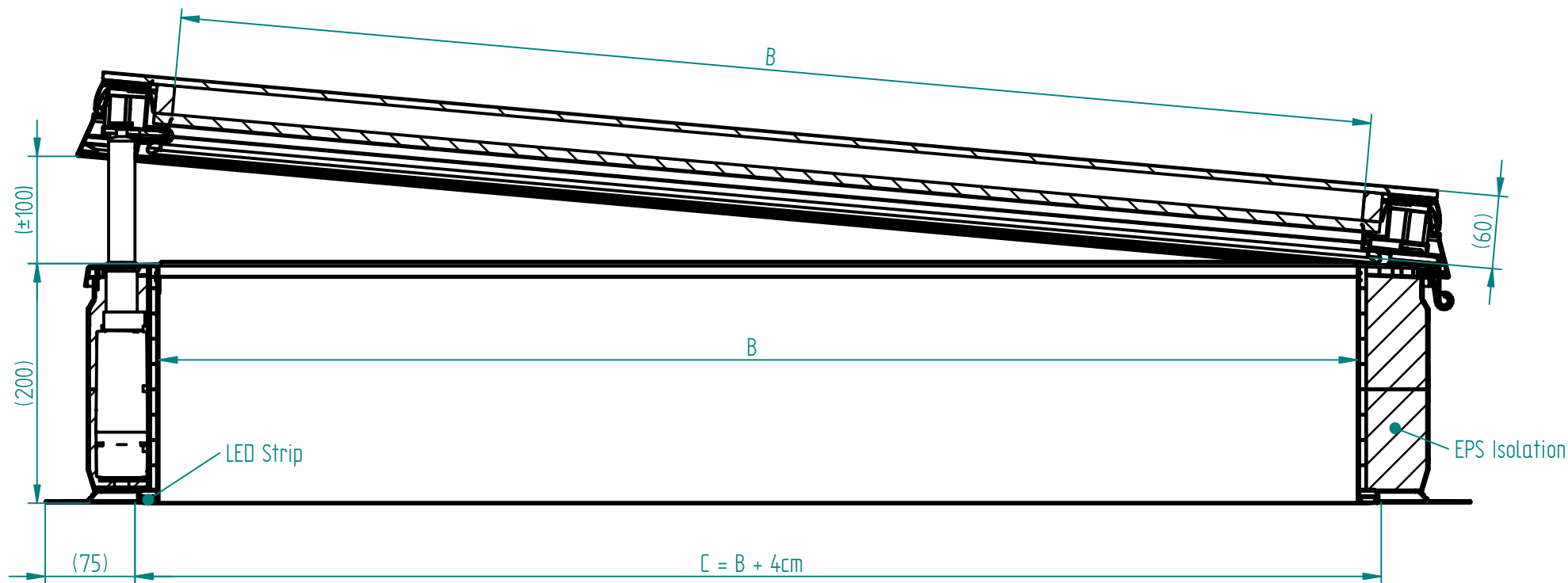


SKYLUX iWindow2 + PVC 2000 EP open.
 For dimension B see price list.

REVISION HISTORY			
REV	DESCRIPTION	DATE	APPROVED



Material		
Density		
Mass	0,000 kg	FILE NAME: iWindow2 met pvc opstand 2000EP open.dwg TITLE:
Volume	0,00 dm ³	
Surface		A4 Last modification on 9/06/2017
Ixx	0,000000 kg.mm ²	
Designer	pide	SCALE:
Date	8/06/2017	
TOLERANCES: according appropriate standard e.g. EN12020-2, DIN18241, DIN16901, DIN7168, Mide...		SHEET 1 OF 1